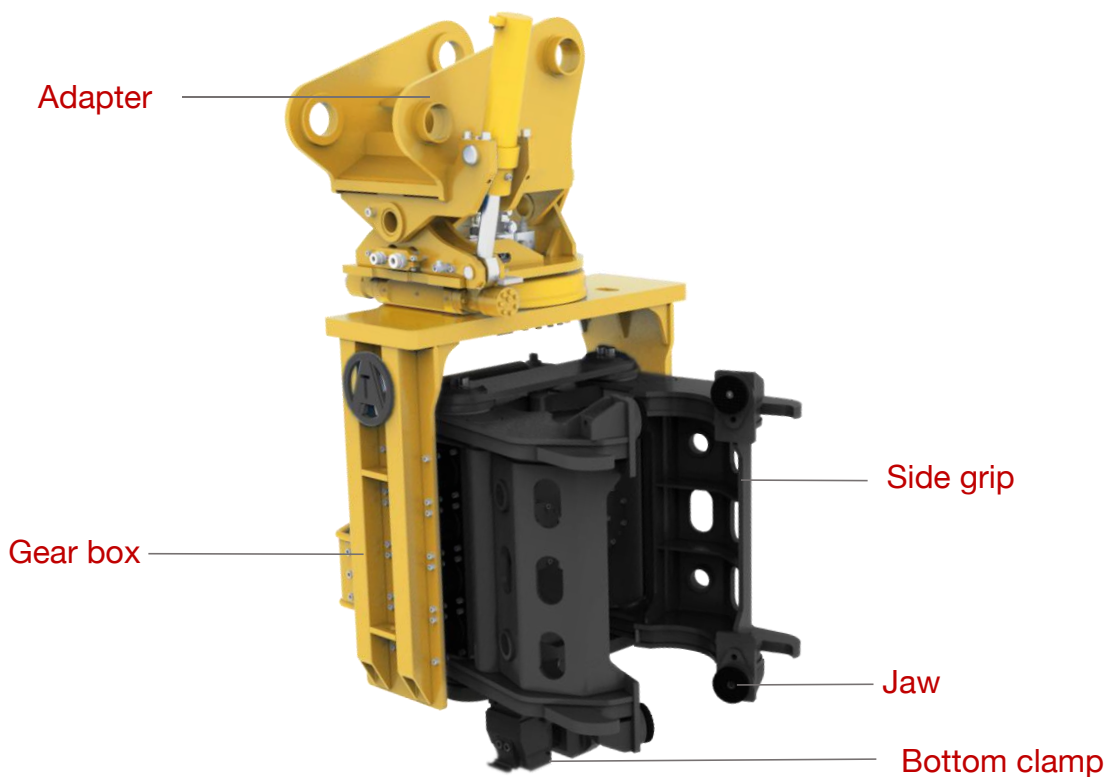




SIDE GRIP VIBRATORY HAMMER

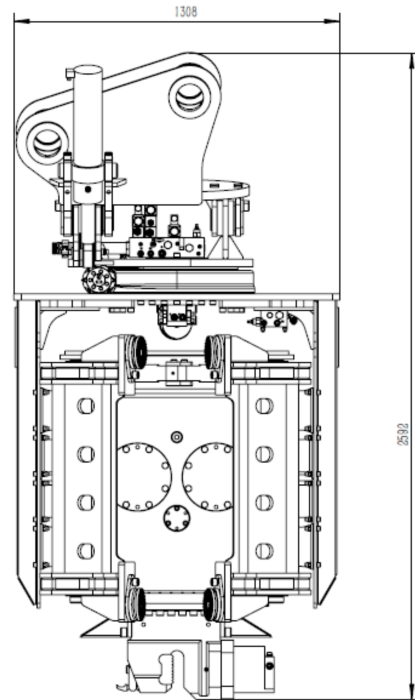
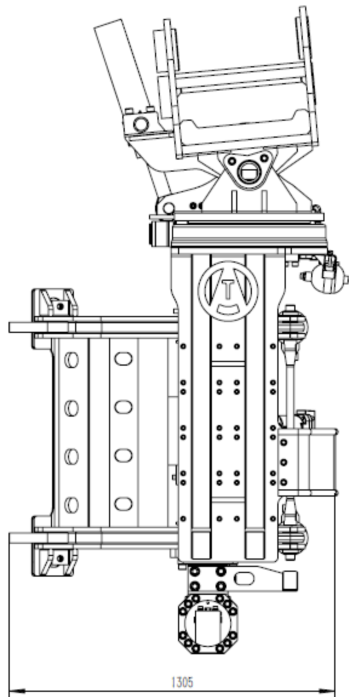
ANTENG side grip pile drivers are excavator-mounted, high frequency, vibratory-type pile drivers - for handling, pitching, driving and extracting different type of piles in a wide range of site and soil conditions.



FEATURES:

1. Full hydraulic flexible control, simple operation, 360 ° rotation, 30 ° tilt , pick up pile easily
2. No need to modify excavator, install and use easily
3. Limited space is available
4. Available for a wide range of piles including sheet piles, H-piles, tubular steel piles, timber piles etc.
5. Precise ,safe, stable ,efficient, and economical, core components are imported from famous brands





AT-55B SPECIFICATION

Eccentric Moment	Kgm	5.5
Centrifugal force	Kn	320
Max. Centrifugal force	Kn	555
Frequency	Rpm	2300-3000
Side clamp force	Kn	382
Bottom clamp force	Kn	384
Hydraulic system operation pressure	bar	300
Rotate/tilt degree	°	360/+ -30
Size	mm	1320*1450*2550
Weight	Kg	2600
Applicable excavator class	Ton	25-32



AT-55B Application:

*AT-55B Designed to match the capabilities of middle excavators and to combine a robust structure with excellent pile handling characteristics.

* Fitted with clamps capable of driving a wide range of piles including sheet piles, H-piles, tubular steel piles and other pile sections.



NOTE!

! Preliminary selection. When making the final selection excavator engine size and hydraulic system design (oil pump arrangement, oil flow rate/pressure etc) as well as soil and site conditions shall be taken into account.

! Specifications are subject to change without notice.